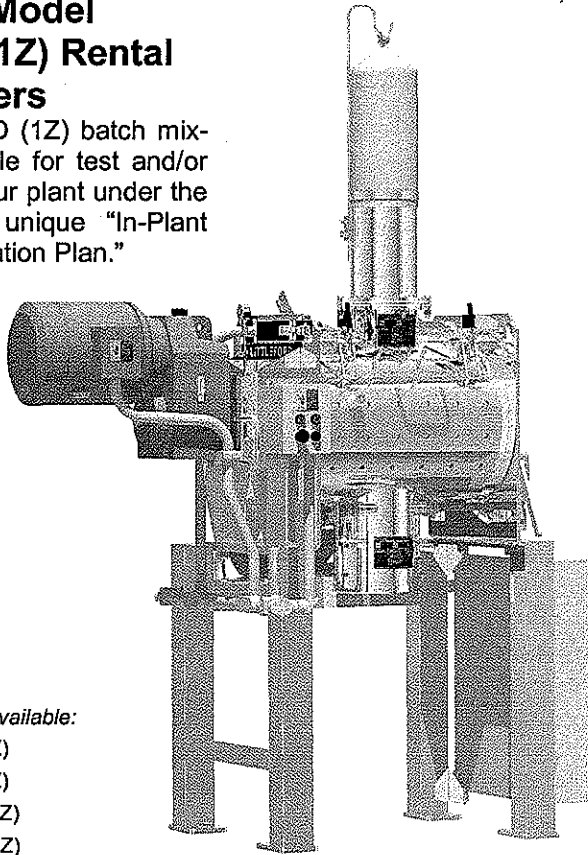


In-Plant Trial Demonstration

Littleford Model FM-130D (1Z) Rental Batch Mixers

Model FM-130D (1Z) batch mixers are available for test and/or pilot work in your plant under the Littleford Day unique "In-Plant Trial Demonstration Plan."



Other rental sizes available:

- FKM-300D (1Z)
- FKM-600D (2Z)
- FKM-1200E (2Z)
- FKM-1200D (4Z)

Model FM-130D (1Z) Specifications:

- Total Volume 4.6 cu.ft.
- Working Capacity 30-75% of total volume, depending on application
- Product Contact Material #304 stainless steel
- Liquid Addition Capability (3) Threaded fittings located on mixer drum with optional liquid injector located in vent stack.
- Main Drive Motor 7.5 hp or 10 hp, XP (depending on availability)
- Chopper Motor 10 hp or 15 hp XP
- Vacuum Construction 25"-27" Hg
- Electrical Controls NEMA 7/9, 230/460 volt, 3 phase, 60 cycle (Specify operating voltage)
- Ammeter Furnished for chopper and main drive motors
- Heating/Cooling Jacket 75 psig
- Weight (approx.) 1,900 pounds
- Discharge Height Mixer mounted on self-contained base with 30" clearance from discharge port safety screen.

NOTE: The specifications for this equipment are subject to change. Equipment shown herein is designed for general mixing tests and not any special mixing application. Should you have a question regarding this equipment for a particular processing application, please contact your Littleford Regional Sales Manager.

