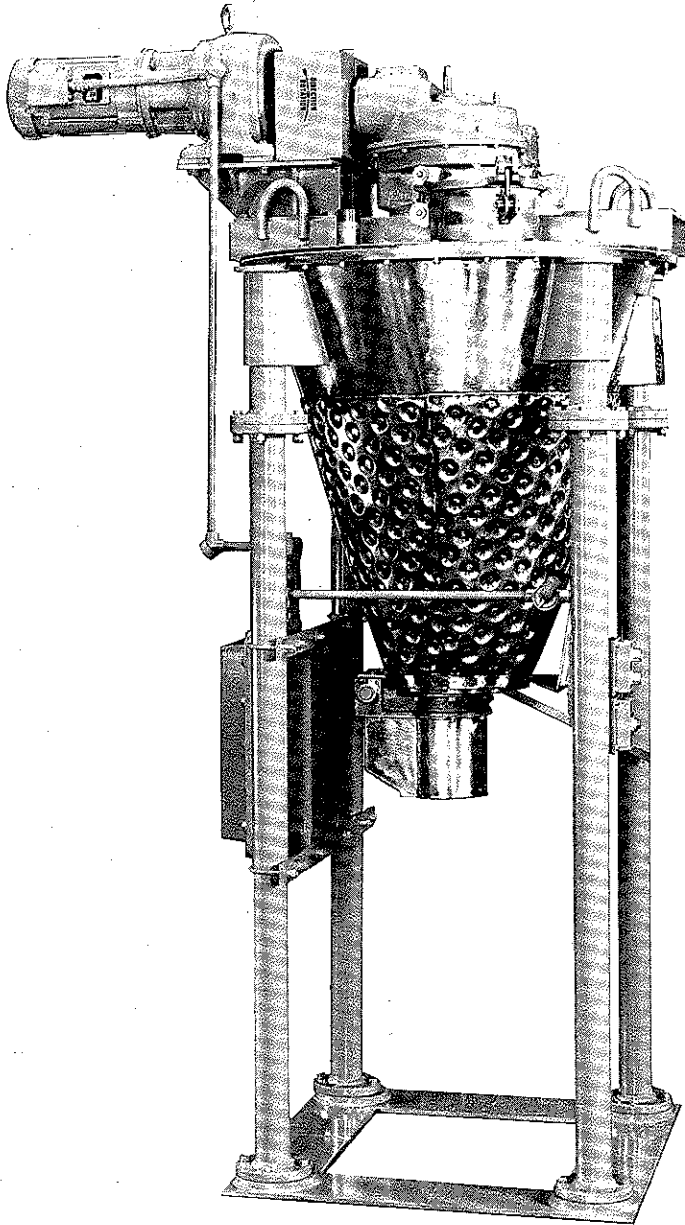


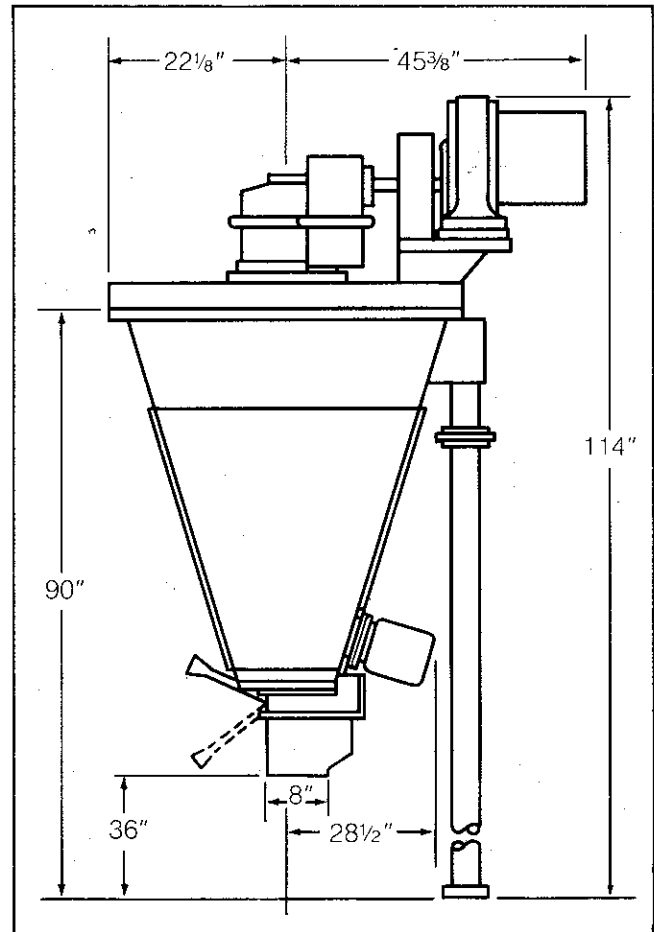
### Model FA-3.5 Mark II Mixer/Processor

The Model FA-3.5 Mark II is available for test and/or pilot work in your plant under Littleford Day's unique "In-Plant Trial Demonstration Plan".



#### Model FA-3.5 Mark II Specifications:

- Working Capacity ..... 3.5 cu. ft.
  - Jacket Area ..... 12 sq. ft.
  - Jacket Volume ..... 1.4 gal.
  - Interior Construction ..... #304 stainless steel
  - Drive Motor ..... 3 hp (explosion proof)
  - Lumpbreaker Motor\* ..... 5 hp (explosion proof)
  - Vacuum ..... 27-29" Hg
  - Liquid Addition Capability ..... Fittings and ports are located on the vessel
  - Electrical Controls ... NEMA 7-9 (explosion proof), 230/460 volt, 3 phase, 60 cycle with Reversing Controls
  - Heating/Cooling Jacket ..... 125 psi @ 352°F
  - Weight\*\* ..... 2,800 pounds
  - Discharge Height ..... 36"
  - Discharge Valve Diameter ..... 6"
- \*Optional      \*\*Add 300 pounds if lumpbreaker is included



*NOTE: The specifications for this equipment are subject to change. Equipment shown herein is designed for general mixing applications. Should you have a question regarding this equipment for a particular processing application, please contact your nearest Littleford Day sales engineer.*